

OLIVE PMMA MANUAL CLEANING STATION/SINKS



Read and understand all of the instructions and safety information in this manual before operating this product.



Yellow triangle with exclamation mark indicates potential minor injury to personnel or damage to equipment



Yellow triangle with lightning bolt indicates possible electric shock hazard

This manual provides user instructions in the installation, operation, and maintenance of Olive PMMA Fiber Manual Cleaning station/sinks manufactured by Olive Health Care.

User Attention: All employees who will use the Olive PMMA Fiber Sink must be briefed in its proper use and operation before using it. All employees who will utilise the Olive PMMA Fiber Sink should be aware that reasonable precautions must be taken to ensure patient safety and the Endoscope sink's optimal performance

Intended Use Notice: This product is designed for healthcare workers to utilise in order to clean & disinfect flexible endoscopes used in the treatment of gastrointestinal patients.

This product should only be used for the purpose for which it was created. Using this device in a way that is not recommended by Olive Health Care may void the equipment manufacturer's warranty. Olive Health Care disclaims all responsibility for the effects of using this product for purposes other than those for which it was intended. Misuse or alteration of a product can be dangerous. Olive Health Care disclaims all obligation for the results of product modifications, as well as the repercussions of using this product in combination with other products.



WARNING- INJURY HAZARD

Use of unqualified persons may lead to injury to personnel and/or damage to equipment. Personnel using the olive PMMA Fiber Sink must be educated on best practices, use, and maintenance of the product to avoid injury or damage. Repair and adjustments should be attempted by persons qualified as representatives of the manufacturer



WARNING- ELECTRIC SHOCK HAZARD

Contact with live wire is possible. Ensure to switch off power supply before undertaking any repairs/inspection. Get in touch with Olive Health Care service team for repairs and electrical work

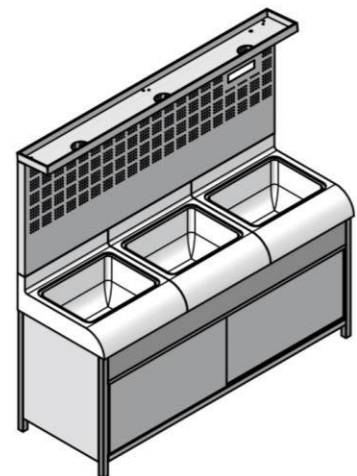
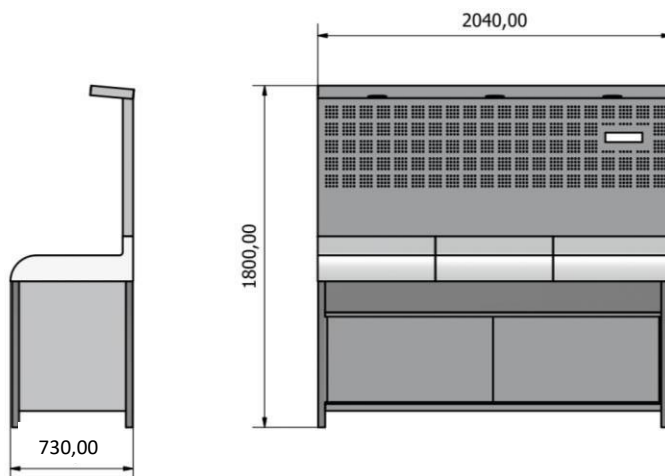
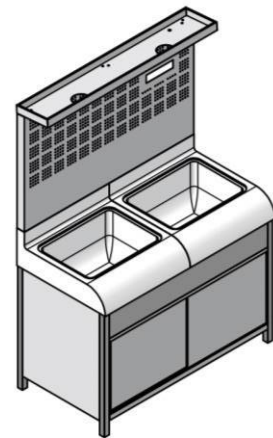
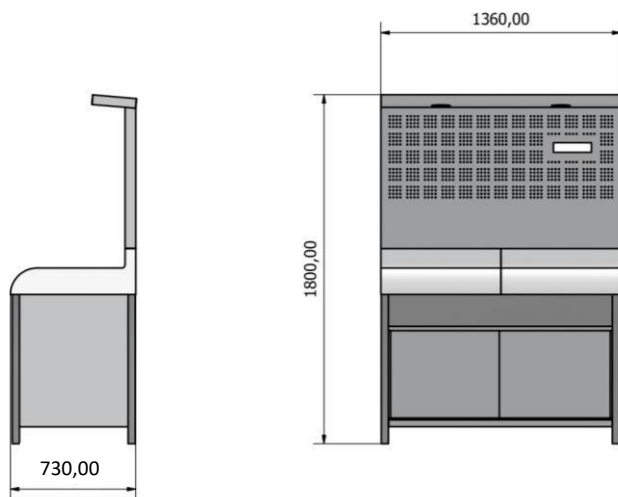
GENERAL SPECIFICATIONS

Design: Olive Sinks are ergonomically designed for optimum utilization of space

Power Requirement: 230V AC

Dimensions & Features:

Built with PMMA and Stainless Steel combination
Solid Back Wall
Built-in LED lights for clear visualization during leak tests and cleaning
Size (Single sink): 680 X 730 X 1800
Size (Duel Sink): 1360 X 730 X 1800
Size (Triple Sink): 2040 X 730 X 1800
Storage shelf below the sink basin



LIST OF PARTS

Item Name	Model No.	Units
PMMA Sink	OWSPMMA01/02/03	1/2/3
Body	OWSB01	1
Door	OWSSSD	-
Door handle	OWSSSDH	-
Back Frame 1	OWSSSBS01	1
Back Frame 2	OWSSSBS01	1
Boot	OWSPB04	4
LED light 4 inch	OWSLEDL	1 per sink
Switches 6 Amps	OWS6AS	-
1 Sink	OWS6A1S02	2
2 Sink	OWS6AS2S04	3
3 Sink	OWS6AS3S04	4
Socket 6 Amps	OWS6AS01	1
Wiring Set	OWSPWS	1 set
Nut and bolts (Body & frame)	OWSSSNB	1 set
40 mm PVC ball Valve	OWSPVCV02	2
Sink waste coupling	OWSPWC01	1 per sink
PVC fittings	OWSPVCF	1 set
Drain hose	OWSPWH	1 per sink
Water Inlet pipe	OWSPWIP	1 per sink
U Type Faucet	OWSSSF	1 per sink
Support hanger	OWSSHSS	custom
Clock (optional)	OWSCL01	1
Umbilical Cord Support (optional)	OWSUCS	custom
Lid (optional)	OWSFL	custom

INSTALLATION

Place the Olive PMMA Manual cleaning sink in a separate clean and secure location close to the procedure room.

IMPORTANT: Clean and thoroughly disinfect the sinks prior to its first use. Then afterwards follow a regular schedule for cleaning and disinfecting the sink.

OPERATION AND BEST PRACTICES

CAUTION: The user is responsible for thoroughly cleaning the endoscopes used in any medical procedures BEFORE placing them in the sinks for leak testing, cleaning & disinfection. Follow your institution's cleaning and disinfection procedures.

IMPORTANT: To obtain the maximum benefit of the sinks, certain procedures must be followed:

1. Do NOT coil the insertion tube or the universal cord of the endoscope with a diameter of less than 12 cm.
2. Attach the water resistant cap (as per manufacturer's IFU) BEFORE immersing the endoscope in fluids
3. Cover the sink with lid provided when immersing scope in disinfection solution
4. Clean and disinfect the sinks thoroughly on a regular cleaning protocol, or when the sinks becomes soiled.

CLEANING, DISINFECTION & CARE

Cleaning the PMMA Fiber Manual Cleaning Sink

Do not use abrasives, such as steel wool, wire brushes or scrapers on the stainless steel and PMMA fiber surface.

CAUTION: For plastic surfaces and acrylic plastic (PMMA Fiber) components, use a hospital-approved disinfectant. Avoid disinfectants that have glycol ethers as an ingredient. Do not use alcohol or ammonia.

Cleaning Stainless Steel Body of Sink

1. Remove dirt, blood, and other organic soil.
2. Always clean the sinks prior to disinfection to avoid compromising the disinfectant's effectiveness.



Instruction & Operating Manual

1 YEAR WARRANTY

Olive Health Care warrants to the original purchaser of the Olive PMMA Fiber Manual Cleaning Station/sinks that defective products/components shall be repaired/replaced by Olive Health care, so long as owned by the original purchaser with limitations set forth as under:

The customer must obtain a return authorization supplied by the customer service team of Olive Health Care. The product must be returned adequately packed so as to avoid damages during transit, with copy of original sales receipt and copy of the RMA authorization

The customer must pay freight charges to and from Olive Health Care manufacturing unit. Olive Health Care does not warrant any damage charges caused during transit. Customer shall be responsible for detailed inspection before signing the BOL

This warranty shall not apply to product(s)/components that have been subject to misuse, negligence, modification, alteration, lack of routine maintenance and/or misapplication, or products damaged due to servicing other than Olive Health Care representatives

This warranty shall not apply to components or parts not manufactured by Olive Health Care. Olive Health Care will pass on the original manufacturer's warranty to the original purchaser. Please consult the service team for warranty details of such components.

UNLESS EXPRESSLY SET FORTH, THERE SHALL BE NO OTHER WARRANTIES, WHETHER EXPRESS OR IMPLIED, OF FITNESS AND/OR MERCHANTABILITY OR ANY OTHER WARRANTIES IMPLIED BY CUTOM,USAGE OR COURSE OF DEALING

Olive Health Care's liability in this agreement is limited to repair/ replacement of any product or component purchased by the original purchaser. Olive Health Care disclaims responsibility for any incidental or consequential damages claimed to have arisen from any defect in workmanship or materials. No representative of Olive Health Care has the authority to change or enlarge the above warranty agreement.

For further support,
Contact customer support team: support@oliveendoscopy.com
Landline: 0484 403 8810